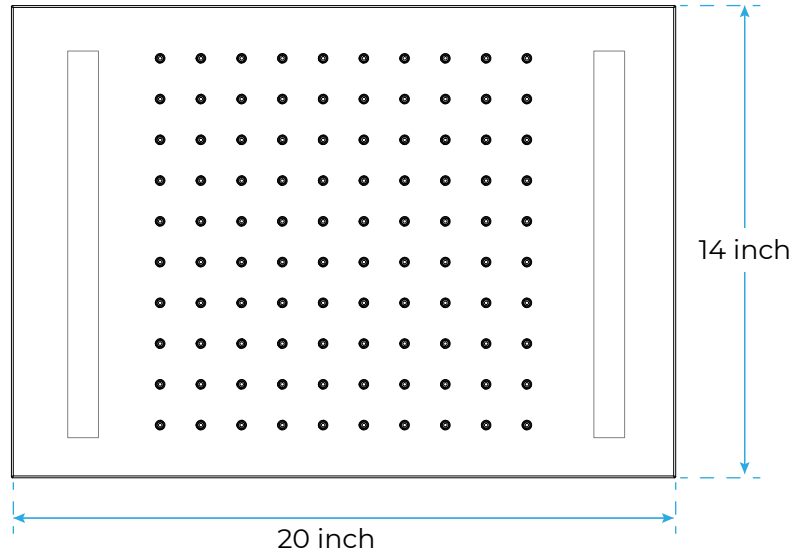


LIGHT OIL RUBBED BRONZE LIMA RAINFALL SHOWER SYSTEM SPECIFICATIONS

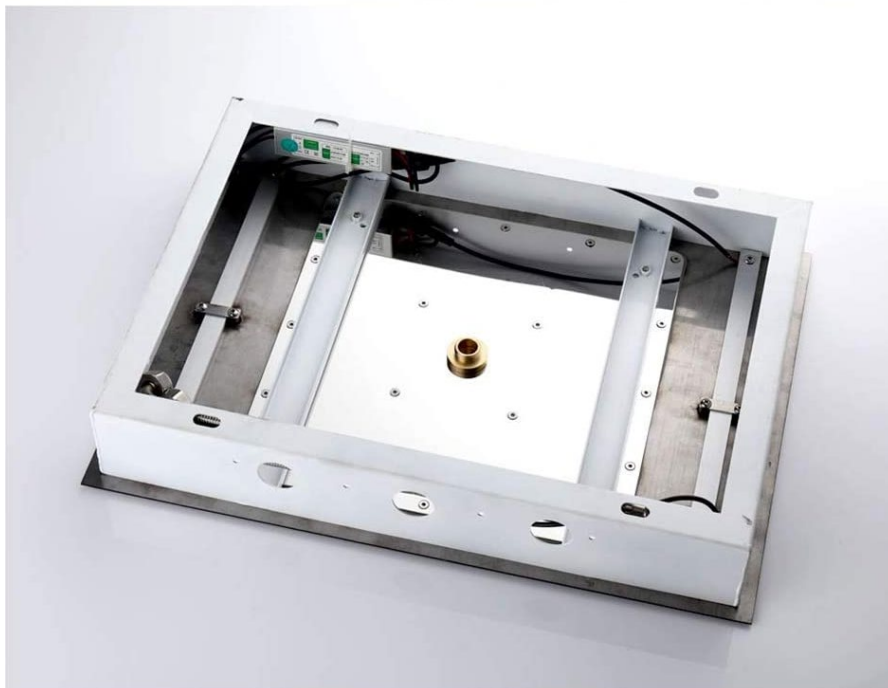


Shower Head

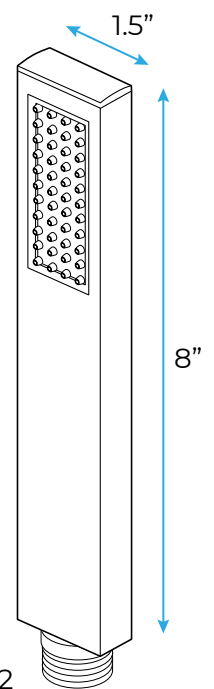
Shower Width: 36 cm / 14 inch;
Shower Length: 50 cm / 20 inch;
Finish: Ti-PVD

High quality material and finishing tested at a high water pressure of 1.6 Mpa.
Flow Rate: 2.0 GPM / 7.6 LPM (Rain Shower);
Easy Installation: G1/2 quickly connector fits most shower room
Non-toxic materials to prevent potential danger and allergy. LED

Hand Shower



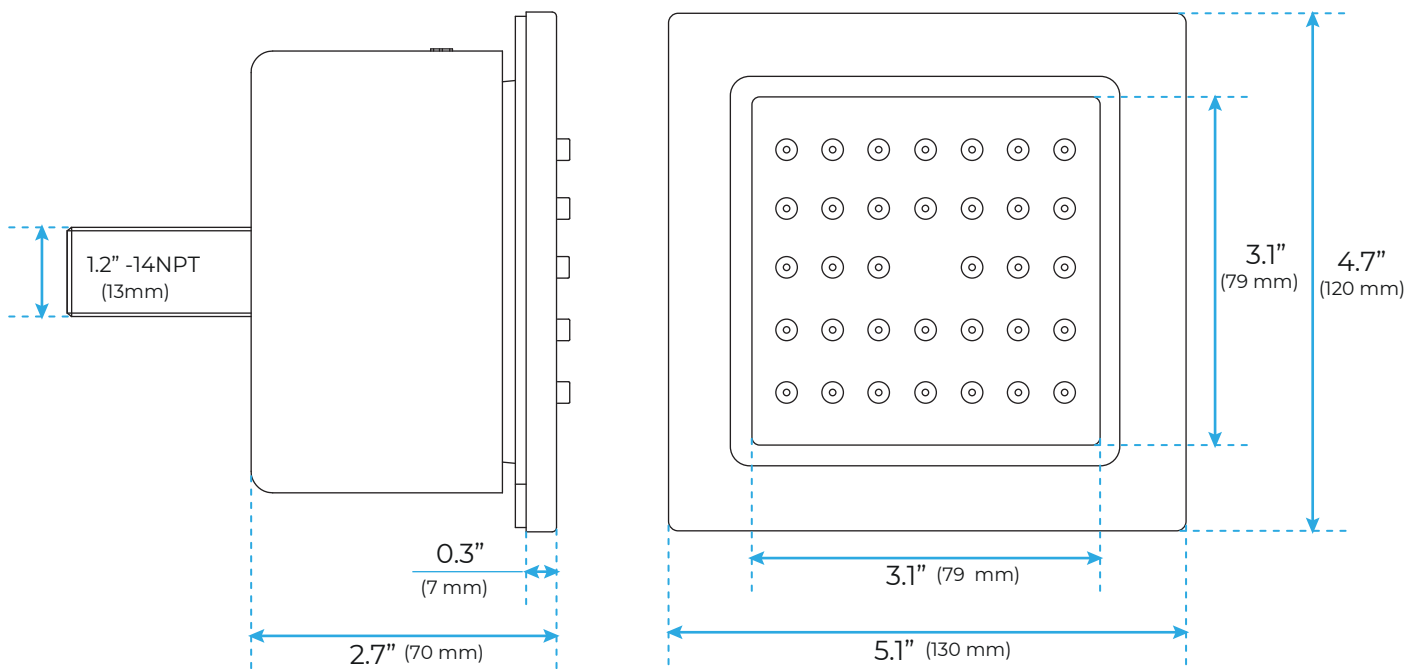
Product shown is only for installation display purpose



G1/2

Flow Rate: 2.0 GPM / 7.6 LPM

Body Jet

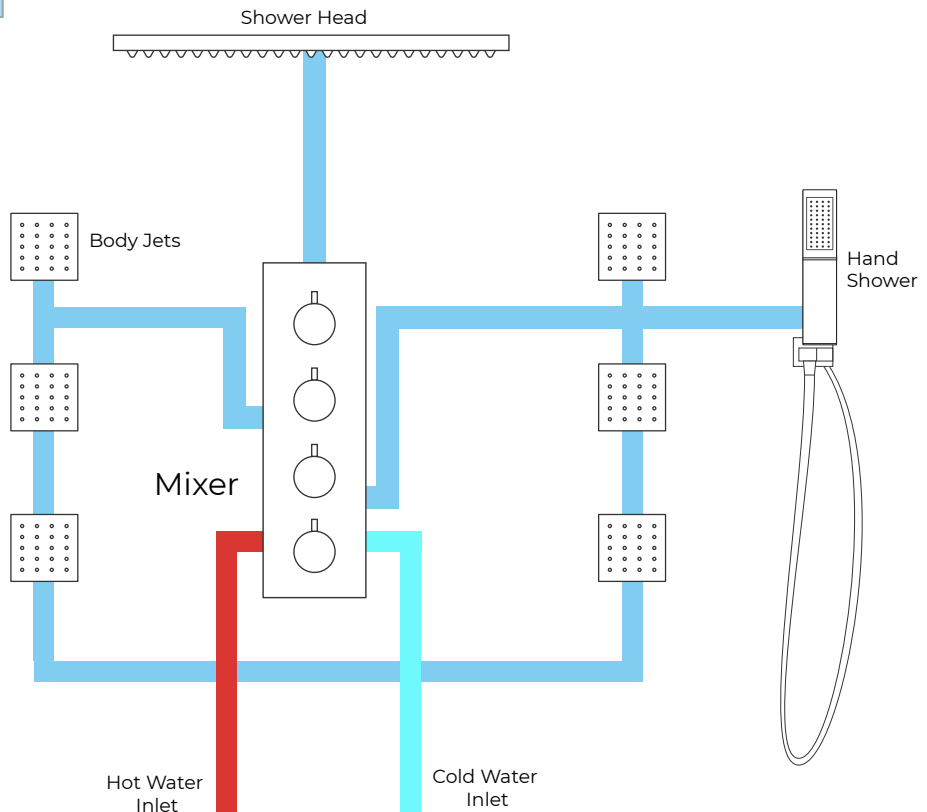


FEATURES

Material: Brass
 Base Plate Height: 5-1/8"
 Base Plate Width: 5-1/8"
 Jet Surface Area: 3-1/8"

Surface Depth: 1/4"
 Adjustment Angle: 5°
 Male NPT Connection: 1/2"
 Maximum Flow Rate: 2.5 GPM (9.5L/min) max @ 80 psi

Shower Mixer



All dimensions and specifications are nominal and may vary. Use actual products for accuracy in critical situations.